

Rolf Benz 6500



**ROLF
BENZ**

Rolf Benz 6500



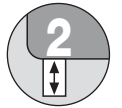
SOB

- Downy-soft cushions with a filling of foam rods and polyester fibres
- Back in polyether foam, covered in a downy-soft mat worked into ticking chambers and filled with foam rods and polyester fibres
- Additional high-back comfort through adjustable back cushion
- Body covered in polyether foam
- Seat in polyether foam, built up in coordinated layers varying in height and firmness covered with a downy-soft mat worked into ticking chambers and filled with foam rods and polyester fibres
- Coil spring unit
- Wooden inner frame
- Leg versions: • matt- or polish chrome plated or. Optionaly mounted with an additional distance of 20 mm, creating a seat height of 41 cm.



HSE

- Back in polyether foam, covered in a downy-soft mat worked into ticking chambers and filled with foam rods and polyester fibres
- Body covered in polyether foam
- Body and back cover quilted underneath with non-woven polyester
- Seat in polyether foam, built up in coordinated layers varying in height and firmness covered with a downy-soft mat worked into ticking chambers and filled with foam rods and polyester fibres
- Elastic webbing
- Wooden inner frame
- Tilt mechanism locks steplessly into any position
- Swivel mechanism with automatic return
- Leg versions: • matt- ou polish chrome plated.



Seat heights available

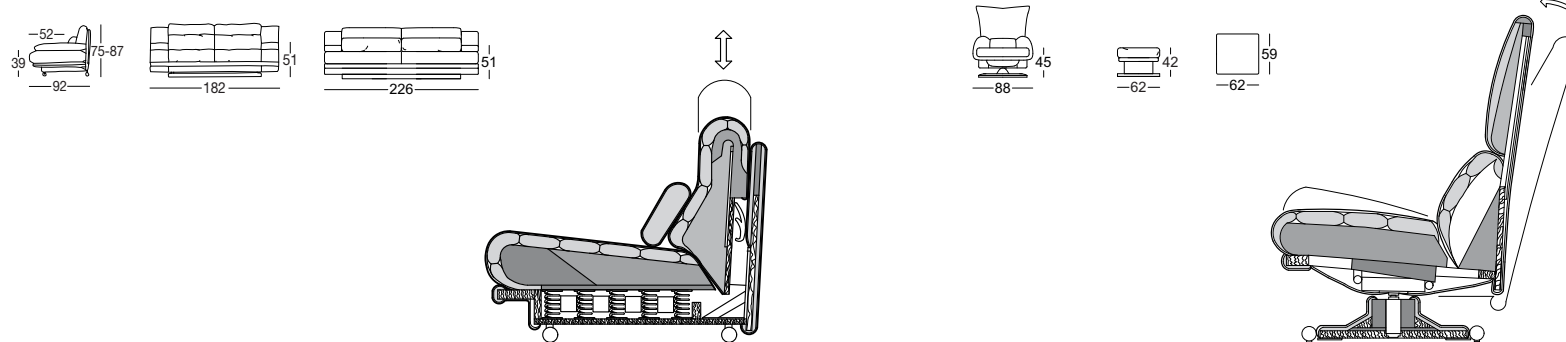


H 75–87 cm



Function

! Wave formation and depressions in the seat area are unavoidable, due to comfort and design reasons, even in high quality Rolf Benz upholstered furniture. All measurements are approximate.



ROLF BENZ